

General tolerance  $\pm 0.3\text{mm}$   
Marked with ( ) is reference dimension.



SHANTOU GOWORLD DISPLAY CO., LTD.  
Tel.: 0754-88192283 Fax: 0754-86339619

DRAWN: 熊明星  
2019-11-01

CHECKED: 陈秀丹  
2019-11-01

APPROVED: 江树仁  
2019-11-01

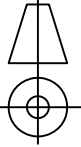
LCM NO: GWM/TFT16499-LCM/A  
DWG NO: ED-16499-LCM/A

Rev: 01 UNITS: mm  
SHEET 1 OF 2

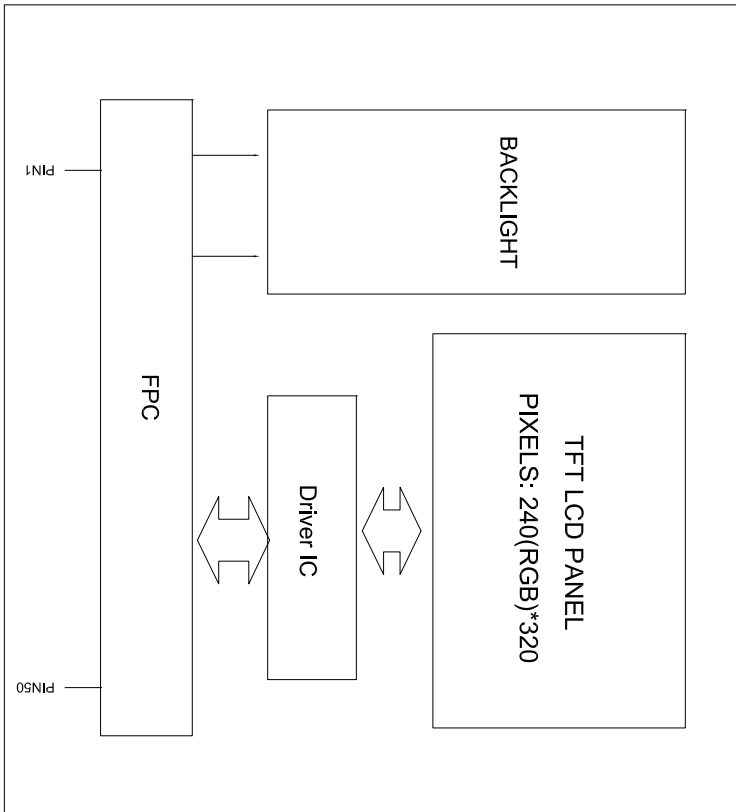
NO	Part Name	Quantity
5	BEZ-LIP	1
4	Backlight (with BEZ-DOWN)	1
3	PPC	1
2	IC	1
1	TFT	1

CUSTOMER APPROVAL:

This drawing contains confidential information and is the property of GOWORLD, without whose permission it may not be copied, shown or handed to a third party or otherwise used.



Block Diagram



DISPLAY TYPE: TFT/Normal Black (65K/262K Color)  
 VIEWING DIRECTION: ALL  
 DRIVER IC: ST7789V1  
 POWER VOLTAGE: IOVCC=VCI=2.8~3.3V  
 OPERATING TEMPRATURE: -20° ~ +70°C  
 STORAGE TEMPRATURE: -30° ~ +80°C  
 INTERFACE CONNECTOR: FPC



Pin Description:

1	NC	Ground
2	NC	Not connect
3	NC	Not connect
4	NC	Not connect
5	NC	Not connect
6	IOVCC	X supply voltage to the interface chip.
7	IOVCC	X supply voltage to the interface chip.
8	VCI	X supply voltage to the interface chip.
9	VCI	X supply voltage to the interface chip.
10	NC	Not connect
11	NC	Not connect
12	NC	Not connect
13	NC	Not connect
14	CS	Chip select signal.
15	CS	Chip select signal.
16	CS	Chip select signal.
17	CS	Chip select signal.
18	CS	Chip select signal.
19	CS	Chip select signal.
20	CS	Chip select signal.
21	CS	Chip select signal.
22	CS	Chip select signal.
23	CS	Chip select signal.
24	CS	Chip select signal.
25	CS	Chip select signal.
26	CS	Chip select signal.
27	CS	Chip select signal.
28	CS	Chip select signal.
29	CS	Chip select signal.
30	CS	Chip select signal.
31	CS	Chip select signal.
32	CS	Chip select signal.
33	CS	Chip select signal.
34	CS	Chip select signal.
35	CS	Chip select signal.
36	CS	Chip select signal.
37	CS	Chip select signal.
38	CS	Chip select signal.
39	CS	Chip select signal.
40	CS	Chip select signal.
41	CS	Chip select signal.
42	CS	Chip select signal.
43	CS	Chip select signal.
44	CS	Chip select signal.
45	CS	Chip select signal.
46	CS	Chip select signal.
47	CS	Chip select signal.
48	CS	Chip select signal.
49	CS	Chip select signal.
50	CS	Chip select signal.

LINE	IN2	IN1	IN0	MPI Interface Mode
1	0	0	0	80-18bit parallel I/F II
1	0	0	1	80-80bit parallel I/F II
1	0	1	0	80-18bit parallel I/F II
1	0	1	1	80-80bit parallel I/F II
1	1	0	1	3-line shift serial I/F II
1	1	1	0	4-line shift serial I/F II

A01: Optimize the structure  
 A00: Original Edition  
 Revision History:

SHANTOU GOWORLD DISPLAY CO., LTD.  
 Tel.: 0754-88192283 Fax: 0754-86339619

DRAWN: 翁沛根  
 2019-11-01

CHECKED: 江树仁  
 2019-11-01

APPROVED: 江树仁  
 2019-11-01

LCM NO: GWMTP16499-LCM/A  
 DWG NO: ED-16499-LCM/A

Rev: 01 UNITS: mm  
 SHEET 2 OF 2

CUSTOMER APPROVAL:

This drawing contains confidential information and is the property of GOWORLD, without whose permission it may not be copied, shown or handed to a third party or otherwise used.