

ALL UNMARKED TOLERANCE: ±0.3mm  
 DIMENSION WITH \* IS SIGNIFICANT DIMENSION  
 DIMENSION WITH ( ) IS REFERENCE DIMENSION  
 DIMENSION WITH " SHOULD BE CONFIRM BY CUSTOMER

DRAWN:

杜耀聪

2018-11-09

CHECKED:

陈秀丹

2018-11-09

APPROVED:

许泽宇

2018-11-09

LCM NO: GWM/TFT156833-LCM/A

DWG NO: ED-15833-LCM/A

序号	TFT模组	部件名称	数量
1			1

Rev: 00

UNITS: mm

SHEET 1 OF 2

CUSTOMER APPROVAL:

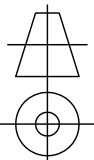
This drawing contains confidential information and is the property of GOWORLD, without whose permission it may not be copied, shown or handed to a third party or otherwise used.

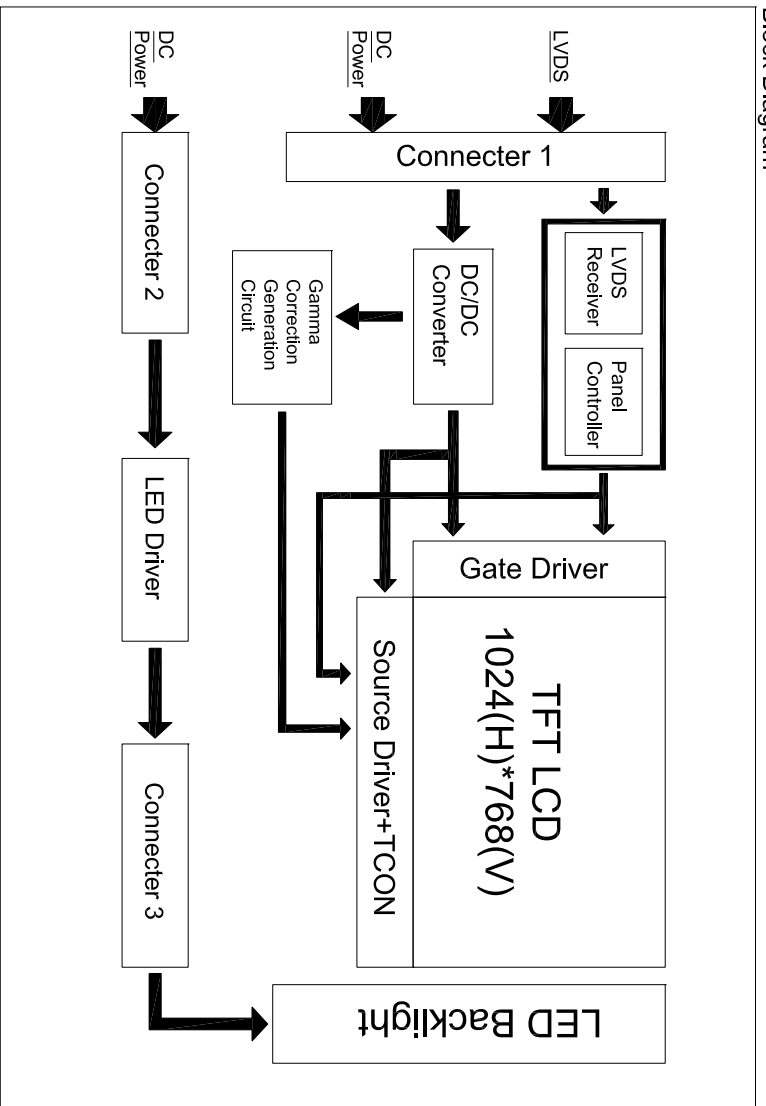


SHANTOU GOWORLD DISPLAY CO., LTD.

Tel:0754-88192283

Fax:0754-86339619





LCD Interface Pin Assignment:

PIN NO.	Symbol	FUNCTION
1	VDD	Power Supply, 3.3V (typical)
2	VDD	Power Supply, 3.3V (typical)
3	GND	Ground
4	SEL68	6/8bits LVDS data input selection{H:8bits L/NC: 6bits}
5	RXIN0-	LVDS receiver signal channel 0
6	RXIN0+	LVDS Differential Data Input (R0,R1,R2,R3,R4,R5,G0)
7	GND	Ground
8	RXIN1-	LVDS receiver signal channel 1
9	RXIN1+	LVDS Differential Data Input (G1,G2,G3,G4,G5,B0,B1)
10	GND	Ground
11	RXIN2-	LVDS receiver signal channel 2
12	RXIN2+	LVDS Differential Data Input (B2,B3,B4,B5,HS,VS,DE)
13	GND	Ground
14	CLKIN-	LVDS receiver signal clock
15	CLKIN+	LVDS receiver signal clock
16	GND	Ground
17	RIN3-	LVDS receiver signal channel 3 (pin17=VDD&pin18=GND for 6bit)
18	RIN3+	LVDS Differential Data Input (R6,R7,G6,G7,B6,B7,RSV)
19	RSV	Reserved Scan Function [H: Enable; L/NC: Disable]
20	NC/GND	Reserved for internal test, Please treat it as NC

B/L Connector Pin Description

PIN	Symbol	Description
1	VCC	12V DC Power supply Input
2	GND	Ground
3	ON/OFF	5V/3.3V-ON, 0V-OFF
4	Dimming	PWM
5	NA	No Connection

LCD TYPE: 12.1" TFT / 16.7M & 262K color  
 DISPLAY MODE: Normally White / Transmissive  
 Polarizer Mode(Front): Anti-Glare  
 VIEWING DIRECTION (Gray Inversion): 6H  
 LCD POWER VOLTAGE : VDD=3.3±0.3V  
 B/L DRIVER POWER: VCC=12V(TYP.)  
 INTERFACE MODE: LVDS  
 OPERATING TEMPRATURE: -30° ~ +85°C  
 STORAGE TEMPRATURE: -30° ~ +85°C



A00: Original Edition  
 Revision History:

LCM NO: GWMTF15833-LCM/A	Rev: 00	UNITS: mm
DWG NO: ED-15833-LCM/A	SHEET 2 OF 2	

CUSTOMER APPROVAL:

This drawing contains confidential information and is the property of GOWORLD, without whose permission it may not be copied, shown or handed to a third party or otherwise used.



SHANTOU GOWORLD DISPLAY CO., LTD.  
 Tel:0754-88192283 Fax:0754-86339619

DRAWN: 王好兴  
 2018-11-09

CHECKED: --

APPROVED: 许泽宇  
 2018-11-09

